

FPM-7061T

6.5" VGA Industrial Monitor with Resistive Touch Control, Direct VGA/DP, and Wide Operating Temperature



Features

- 6.5" VGA TFT LED LCD with 50K backlight lifetime
- Robust system with IP66-rated aluminum front panel
- Wide operating temperature range (-20 ~ 60 °C/-4 ~ 140 °F)
- Anti-glare touchscreen with tempered glass
- Supports various mount options: panel, wall, desktop, and VESA arm
- USB interface for touchscreen functionality
- OSD control buttons on rear panel
- Lockable I/O connectors

Introduction

FPM-7000T series monitors are the first, true-flat, 4:3, industrial-grade monitors. The 5-wire resistive touchscreen is enclosed in a highly durable, die cast aluminum alloy front bezel that provides IP66-rated protection from water and dust ingress. Additionally, the FPM-7000T series monitors support a wide operating temperature range (-20 ~ 60 °C/-4 ~ 140 °F) and various mount options to ensure easy installation and support for diverse environments.

Specifications

General

- **OSD Controls** OSD control buttons on rear panel
- **Certification** BSMI, CCC, CE, FCC Class A, UL
- **Dimensions (W x H x D)** 199x151x46.1mm
- **Enclosure** Front panel: Die cast magnesium alloy
Rear cover: SECC
- **Mount Options** Stand, Wall, Panel mount or VESA 75 x 75 mm
- **Power Input** Phoenix Jack: 24 V_{DC} input
- **Power Consumption** 10 W + 20%
- **Video Port** VGA & DP
- **Weight (Net)** 1.2 kg (2.64 lb)

LCD Display

- **Display Type** VGA TFT LED LCD
- **Display Size** 6.5"
- **Max. Resolution** 640 x 480
- **Max. Color** 16.2M
- **Viewing Angle (H/V °)** 160/140
- **Luminance (cd/m²)** 800
- **Backlight Life** 50,000 hr
- **Contrast Ratio** 600 :1

Touchscreen

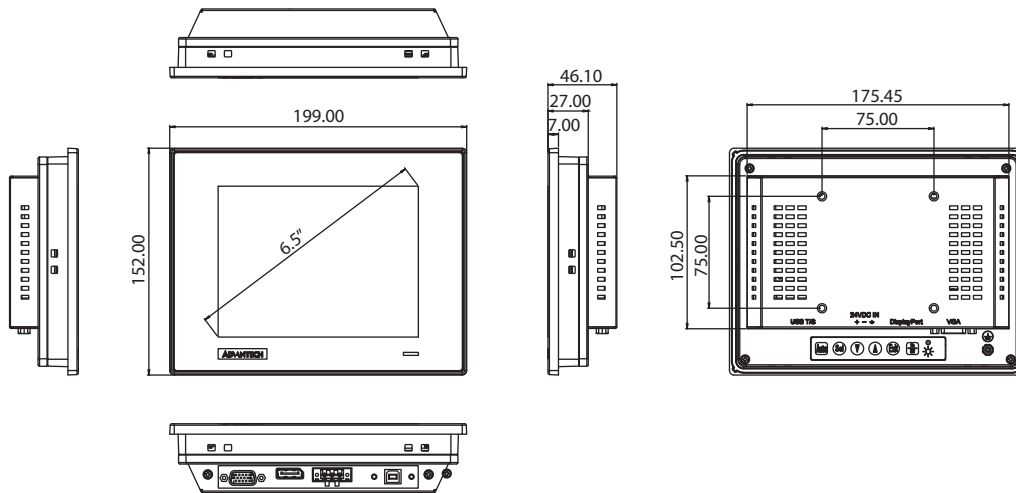
- **Type** 5-wire analog resistive
- **Interface** USB
- **Light Transmission** Above 75%
- **OS Support** Windows XP, Vista, 7, 8, 10, XPe and Linux

Environment

- **Operating Temperature** -20 ~ 60 °C (-4 ~ 140 °F)
- **Storage Temperature** -30 ~ 70 °C (-22 ~ 158 °F)
- **Humidity (Storage)** 10 ~ 90% non-condensing
- **IP Rating** Front panel is IP66 compliant
- **Vibration** 5 ~ 500 Hz, 1 Grms (Operating, Random)

Dimensions

Unit: mm



Panel Cutout Dimensions: 189.1 x 142.1 mm (7.44 x 5.59 in)

Ordering Information

- **FPM-7061T-R3AE** 6.5" VGA Ind Monitor w/Resistive TS (VGA/DP)

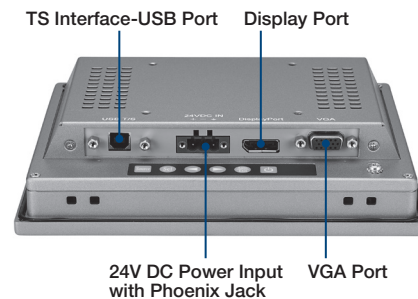
Optional Accessories

- **1702002600** Power Cable US Plug 1.8 M
- **1702002605** Power Cable EU Plug 1.8 M
- **1702031801** Power Cable UK Plug 1.8 M
- **1700000596-11** Power Cable China/Australia Plug 1.8 M
- **96PSA-A60W24T2** Adapter 100-240V 60W 24V 2.5A
- **FPM-1000T-SMKE** Desktop/Wall Mounting kit for FPM series

Front View



I/O View



Rear View

